



[www.buzonuk.com](http://www.buzonuk.com)

## Technical Data Sheet-PB

**PB-9 Adjustable from 560 to 715 mm**

### COMPONENTS

The PB-9 is composed of 4 pieces  
(1 PB-4 top + 2 coupler PB-C2 + 1 PB-4 base)

### CHARACTERISTICS

Top:  $\varnothing$  170 mm, 227 cm<sup>2</sup>

Base:  $\varnothing$  197 mm, 305 cm<sup>2</sup>

Weight: 1,65 kg

Height adjustable from 560 to 715 mm

With addition of U-PH5 slope corrector, adjustable in height from 574 to 729 mm and slope from 0 to 5%

### MATERIAL

Copolymer polypropylene (CPP)

Composition: +/-80% first grade pre-selected recycled PPC, and +/-20% Talc + Masterbatch black

Designed and manufactured in Europe

Use of recycled materials exclusively of EU origin

Resistant to weathering, sea salts, algae and a wide range of chemicals

Temperature range: -30 C° to +80 C°

### PACKAGING

#### Packaging PB-4-Base

Pieces per carton: 24 pcs

Carton weight: 9,82 kg

Carton dimension: 610 x 410 x 455 mm

Cartons per pallet: 25 pcs

Pieces per pallet: 600 pcs

Pallet dimensions: 100 x 120 x 220 cm

#### 2x Packaging PB-C2

Pieces per carton: 24 pcs

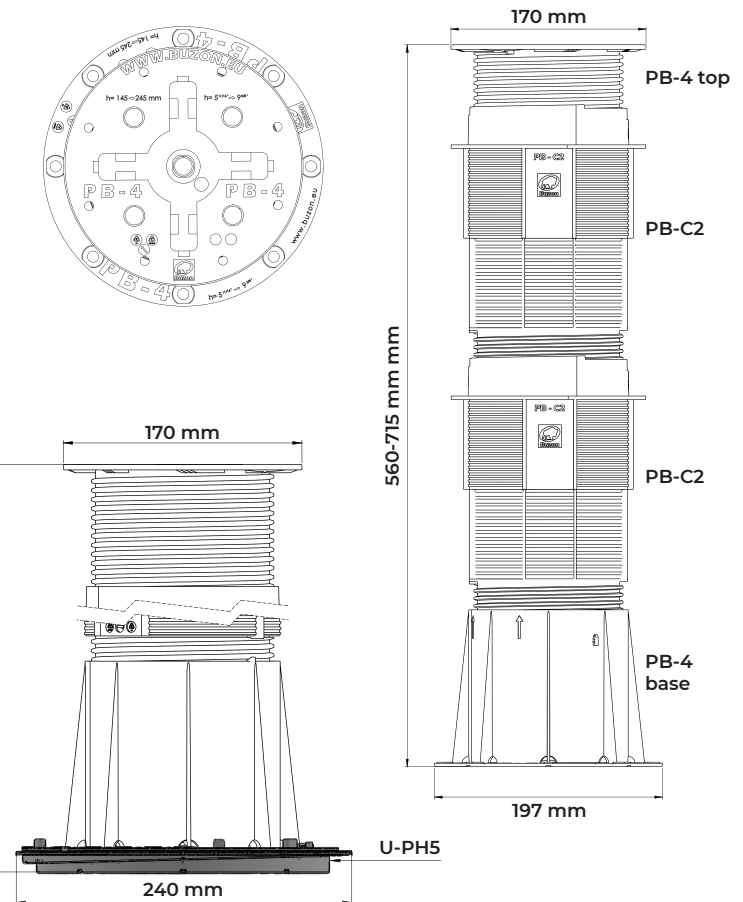
Carton weight: 13,3 kg

Carton dimension: 600 x 420 x 610 mm

Cartons per pallet: 15 pcs

Pieces per pallet: 360 pcs

Pallet dimensions: 100 x 120 x 220 cm



#### Packaging PB-4-Top

Pieces per carton: 24 pcs

Carton weight: 9,05 kg

Carton dimension: 610 x 410 x 455 mm

Cartons per pallet: 25 pcs

Pieces per pallet: 600 pcs

Pallet dimensions: 100 x 120 x 220 cm

## APPLICATIONS

Buzon pedestals can be used for a wide range of outdoor applications, such as terraces, pool decks and water features, in landscape areas and on rooftops. Finishing materials can be freely specified by the designer.

Accessories are available for applications with various outdoor finishes, such as granite stone pavers, composite/timber decking, ceramic tiles and fibreglass or metal grating panels. Buzon pedestals can be installed on a wide range of solid and stable substrates, such as concrete slabs, cement screeds, waterproof membranes and insulation panels.

### Batten Holder



### Aluminium Rail Holder

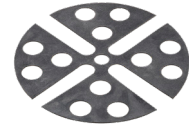


### Spacer Tabs



**17mm high**  
Thickness: 3 and 4.5mm  
**25mm high**  
Thickness: 3,4,5,6,8  
and 10mm

### Shims



U-E10 (T- 1mm)  
U-E20 (T- 2mm)

## COMPRESSION TEST\*

Performed on the full (1/1), half (1/2) and quarter (1/4) surface of the head (1kN= 1kg/F= 224,8 lbF)

Position	Height (mm)	Yield strength** (kN)	Yield strength (lbF)	Breaking load (kN)	Breaking load (lbF)
1/1	715	6 (600kg)	1348	12,04 (1204kg)	2706
1/2	715	4,4 (440kg)	989	8,87 (887kg)	1994
1/4	715	3,4 (340kg)	764	6,24 (624kg)	1402

\* Tests carried out by SIRRIS

\*\* The yield point is the stress from which a material stops deforming in an elastic, reversible manner and thus begins to irreversibly deform (ISO472 :2013)

## SAFETY INSTRUCTIONS

Buzon pedestals are designed to support external raised floors for pedestrian traffic only and are not designed to support or be subjected to moving and/or vibrating machinery & equipment, including maintenance, cleaning vehicles, automobiles and other similar equipment.

sales@buzonuk.com +44 (0)20 8614 0874

Buzon has a policy of continuous improvement and reserves the right to modify, revise or change the above specifications without notice. This brochure is for descriptive purpose only and is based on the product as on the date of publication of this information.