



Technical Data Sheet

DPH-5-PH5 Adjustable from 100 to 175mm

COMPONENTS

DPH-5-PH5 is composed of:
1 x Complete Unit, 4 x Locking Keys

CHARACTERISTICS

Head: \varnothing 155mm, 188cm²

Base: \varnothing 200mm, 314cm²

Weight: 0.667kg

Height adjustable from 100 to 175mm

Slope corrector is integrated in the head of the pedestal, providing slope correction from 0 to 5% (in 0.5 % intervals)

MATERIAL

Copolymer polypropylene (CPP)

Composition: +/- 80% first grade pre-selected recycled PPC, and

+/20% Talc + Masterbatch black

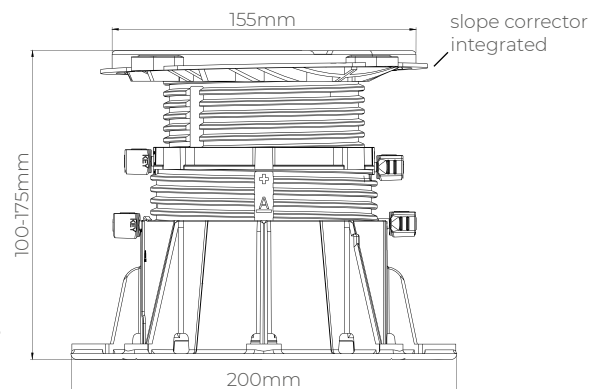
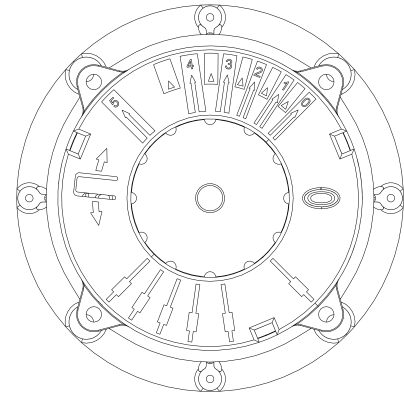
Designed and manufactured in Europe

Use of recycled materials exclusively of EU origin

Resistant to weathering, sea salts, algae and a wide range of chemicals

Temperature range: -30C° to +80C°

CAD files are available for download from our [Resource Centre](#)



COMPRESSION TEST*

Performed on the full (1/1), half (1/2) and quarter (1/4) surface of the head (1kN= 100 kg= 224.8 lbf)

Position	Height (mm)	Yield strength** (kN)	Yield strength (lbf)	Breaking load (kN)	Breaking load (lbf)
1/1	175	10 (1,000kg)	2,248	16.4 (1,640kg)	3,686
1/2	175	5.5 (550kg)	1,236	11.5 (1,150kg)	2,585
1/4	175	3.5 (350kg)	786	6.9 (690kg)	1,551

* Tests carried out by SIRRIS

** The yield point is the stress from which a material stops deforming in an elastic, reversible manner and thus begins to irreversibly deform (ISO472 :2013)

APPLICATIONS

Buzon pedestals can be used for a wide range of outdoor applications, such as terraces, pool decks and water features, in landscape areas and on rooftops. Finishing materials can be freely specified by the designer.

Accessories are available for applications with various outdoor finishes, such as granite stone pavers, composite/timber decking, ceramic tiles and fibreglass or metal grating panels. Buzon pedestals can be installed on a wide range of solid and stable substrates, such as concrete slabs, cement screeds, waterproof membranes and insulation panels.

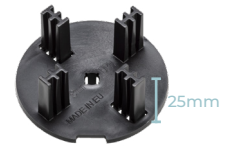
The DPH range has a suite of accessories to support any type of pedestal project:

- Spacer Tabs
- Shims
- Slope Correction
- Edging Products
- Couplers
- Joist Support
- Low Build Up
- Wind Uplift
- Membrane Protection.

Spacer Tabs



Thickness: 2, 3, 4.5mm and 6mm



Thickness: 2, 4.5, 6, 8 and 10mm

Joist Support



Joist Dimension
Width: 100mm max
Height: 30mm min

Shims



U-E10 (1mm)
U-E20 (2mm)

PACKAGING

Packaging	DPH-5-PH5	Unit
Product per Box	24	items
Box Weight	16.71	kg
Box Dimension	600x400x400	mm
Boxes per Pallet	25	qty
Product per Pallet	600	items
Pallet Dimension	100x120x220	cm

SAFETY INSTRUCTIONS

Buzon pedestals are designed to support external raised floors for pedestrian traffic only and are not designed to support or be subjected to moving and/or vibrating machinery & equipment, including maintenance, cleaning vehicles, automobiles and other similar equipment.

Contact us if you require further technical support or advice

buzonuk.com - info@buzonuk.com - +44 (0)20 8614 0874



Buzon has a policy of continuous improvement and reserves the right to modify, revise or change the above specifications without notice. This brochure is for descriptive purpose only and is based on the product as on the date of publication of this information.