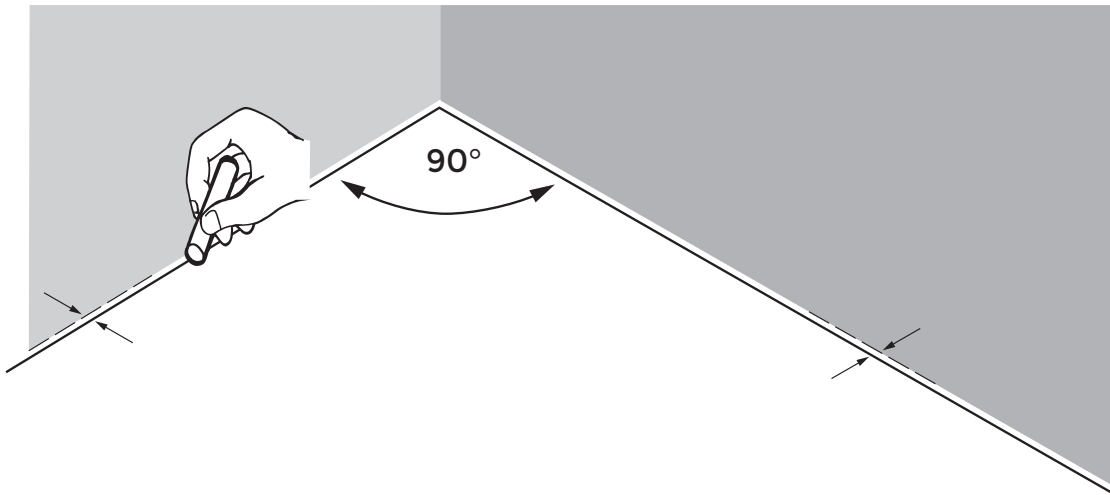
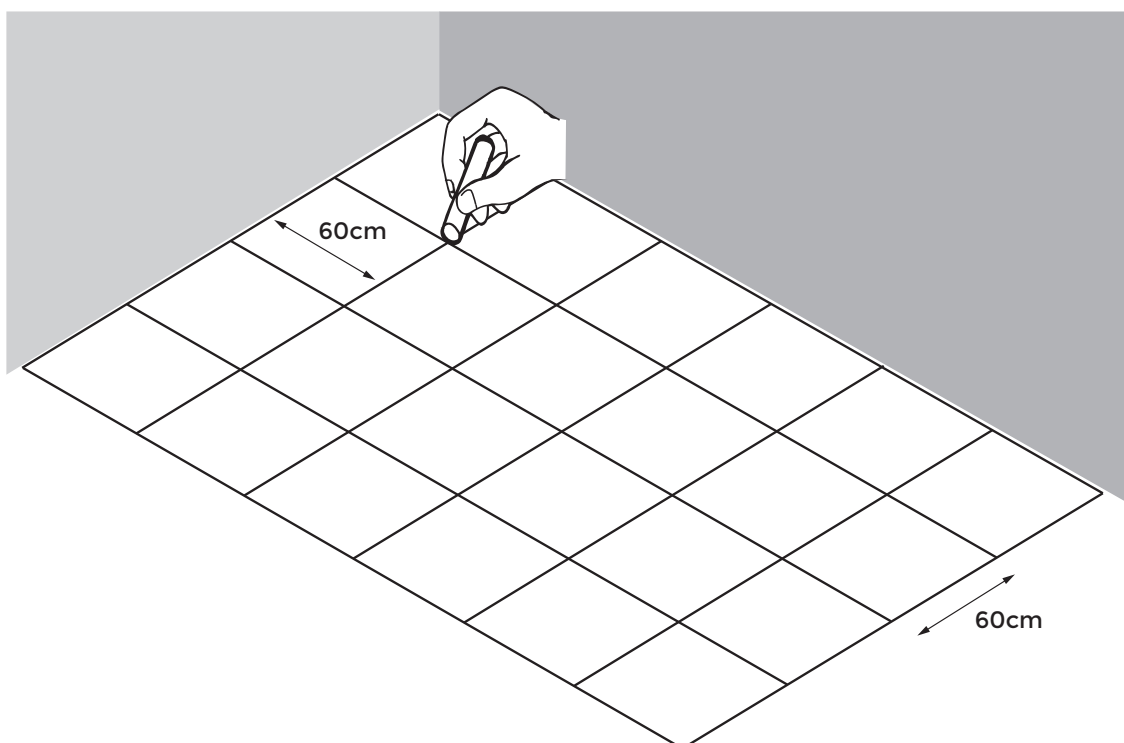


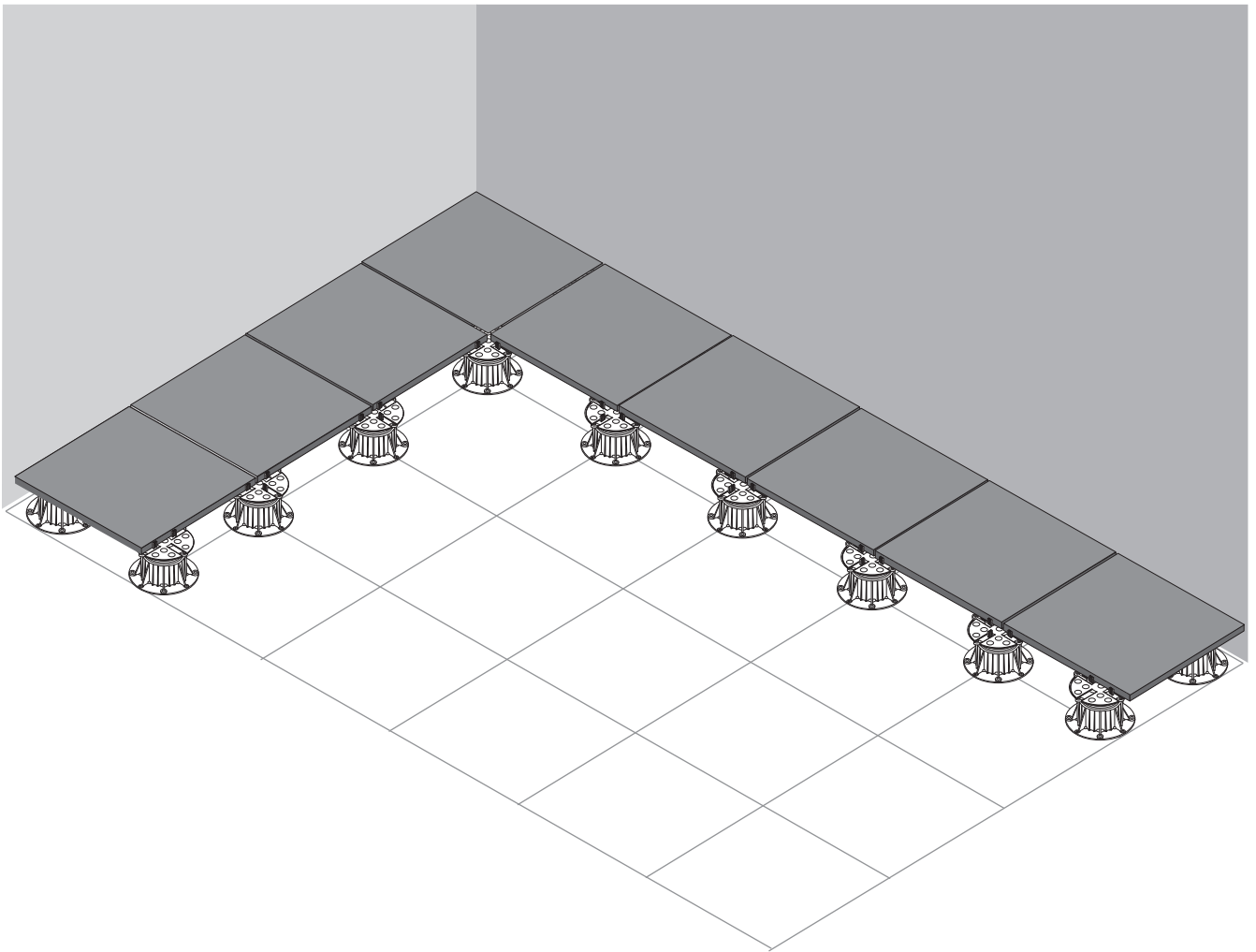
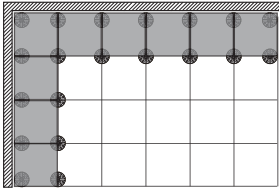
1 **A** = 90°

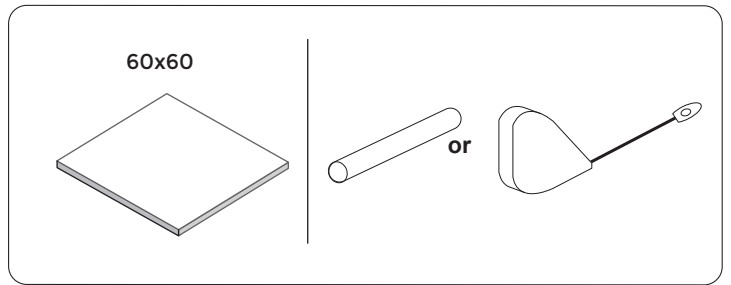
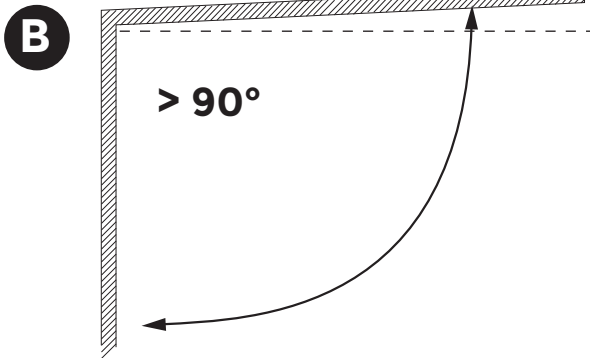


2

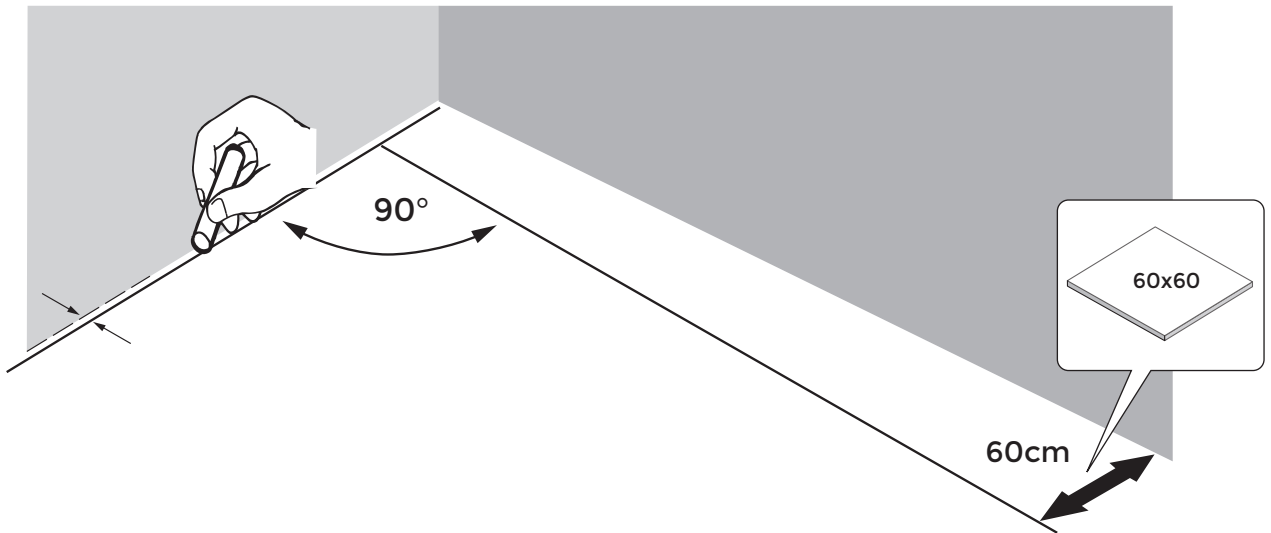


3 For proper placement of the pavers, see the installation guide "Laying ceramic pavers"

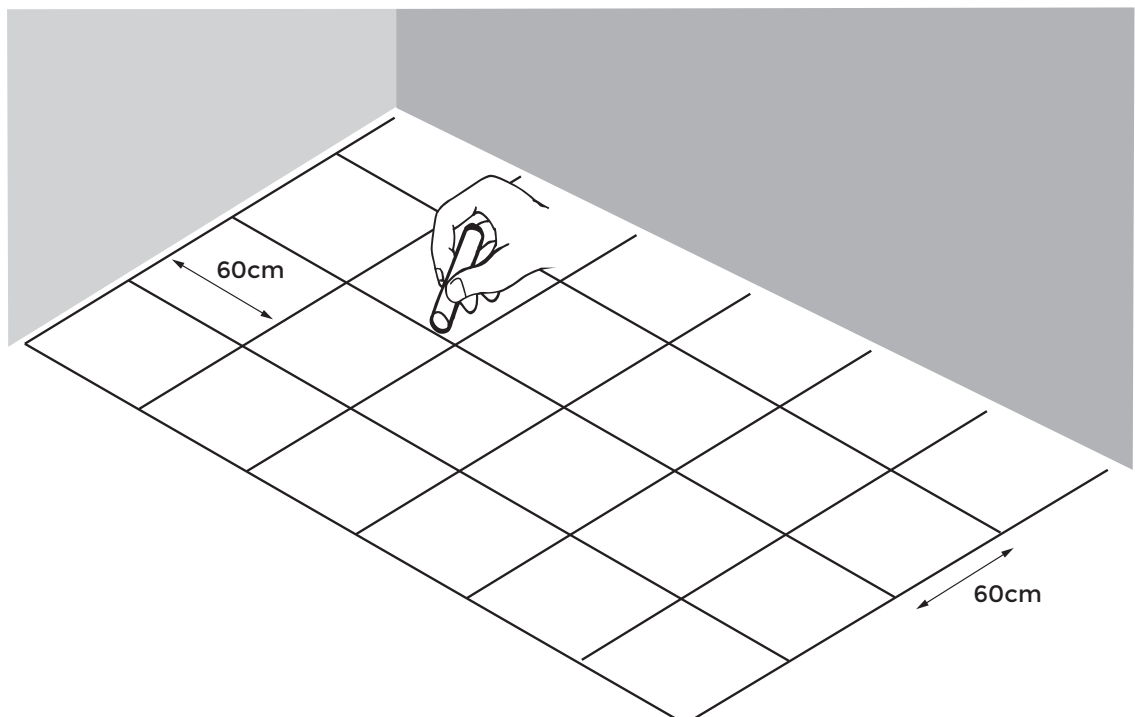




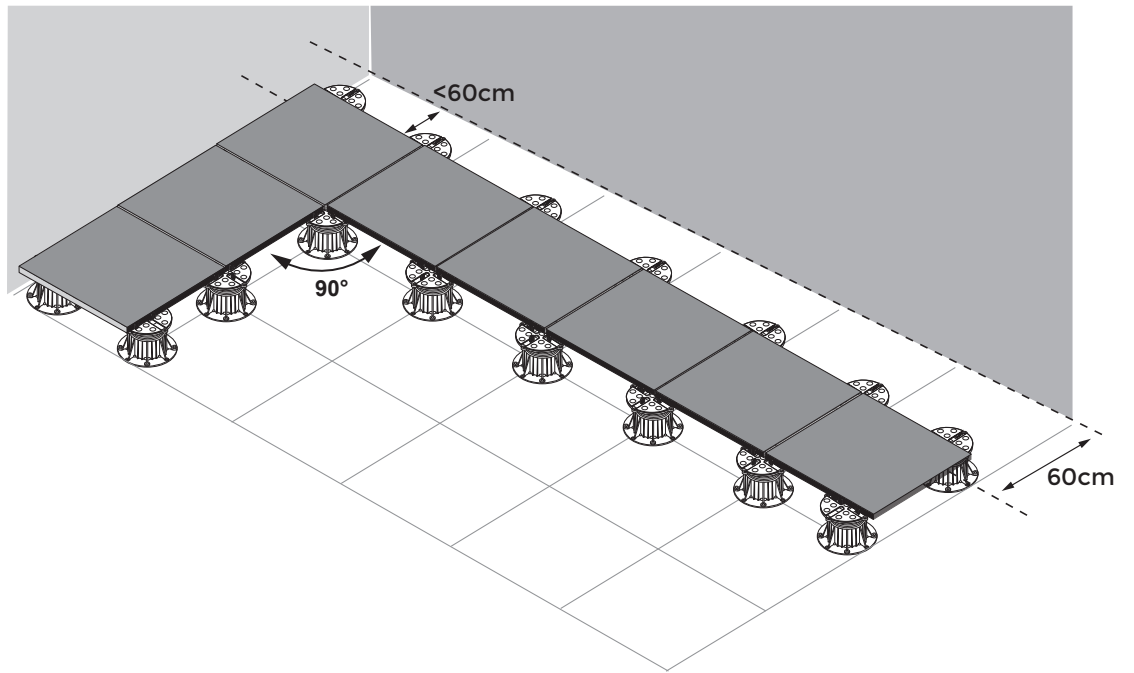
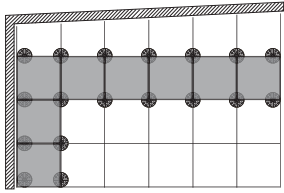
1 **B** > 90°



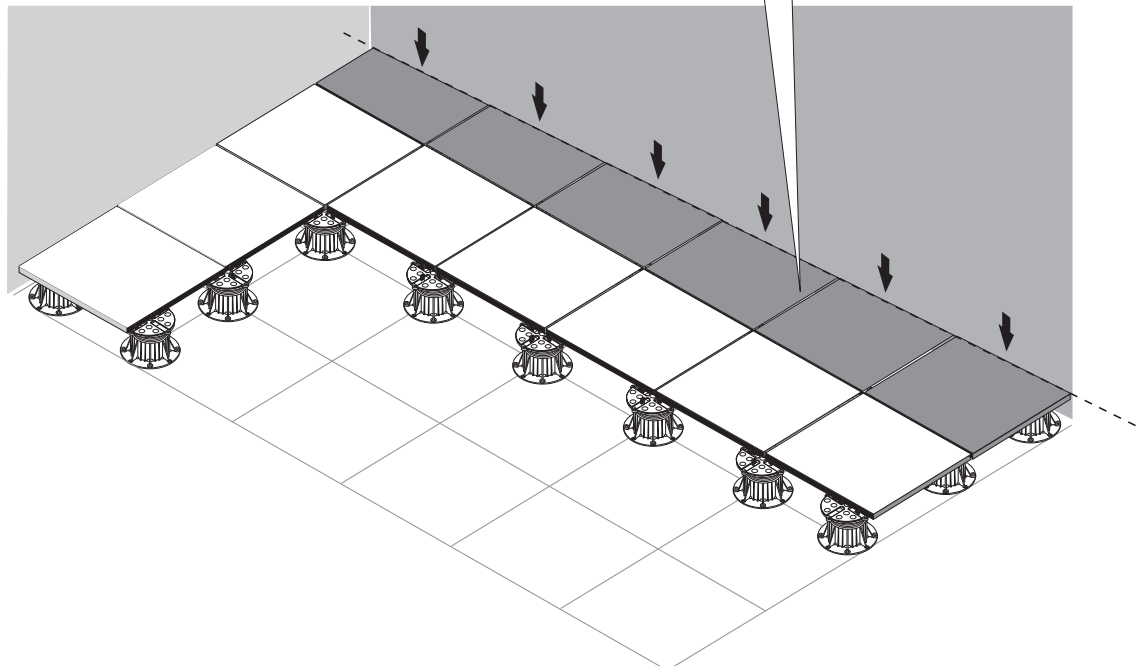
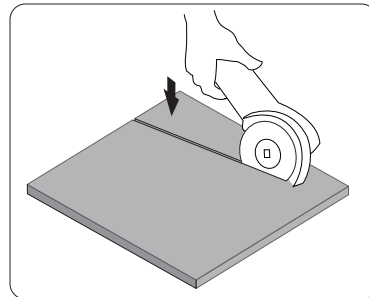
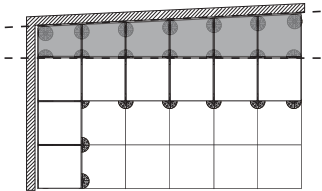
2

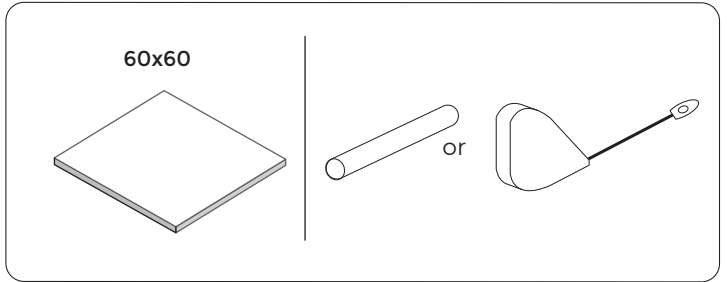
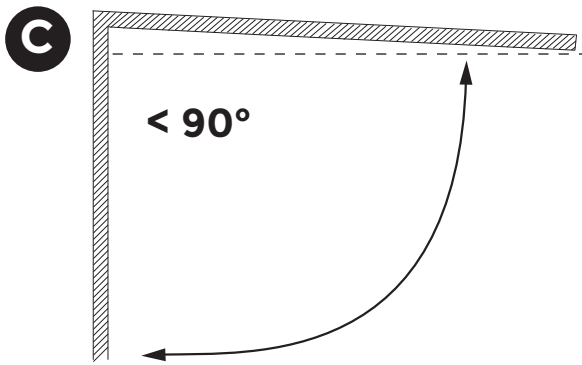


3

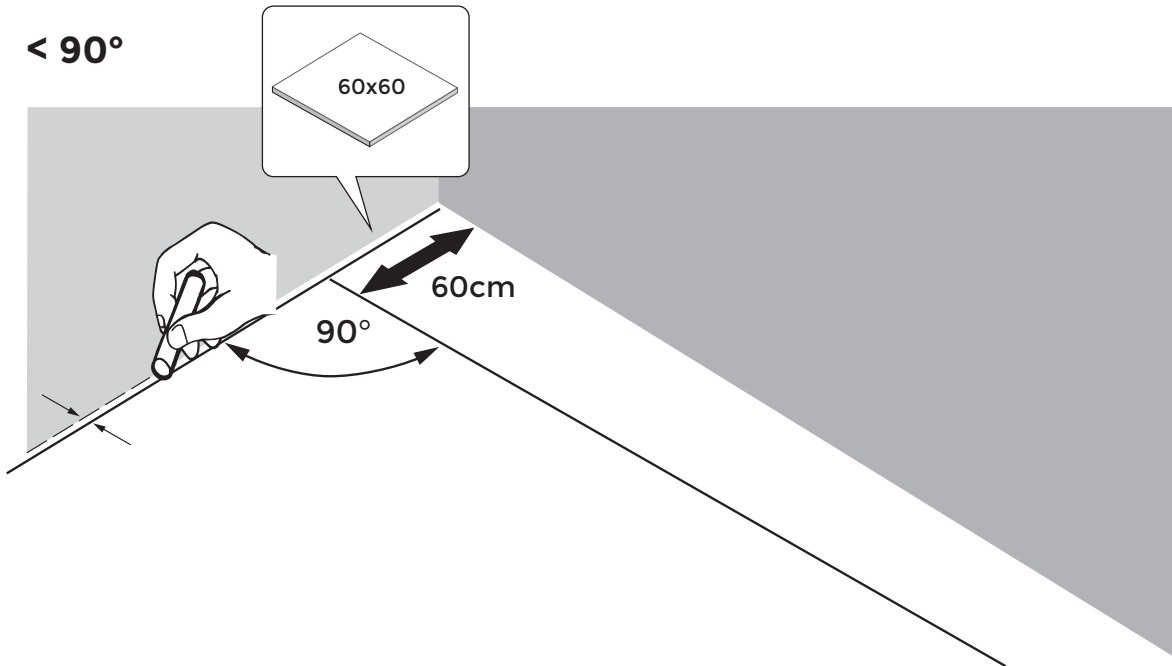


4

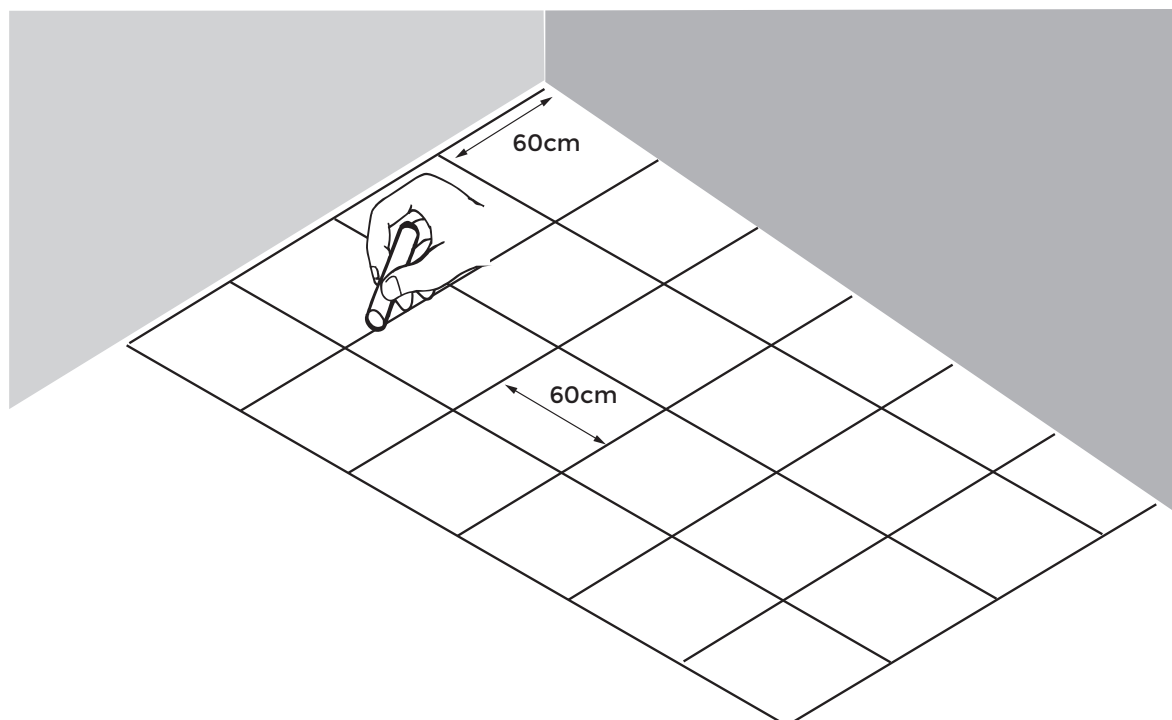




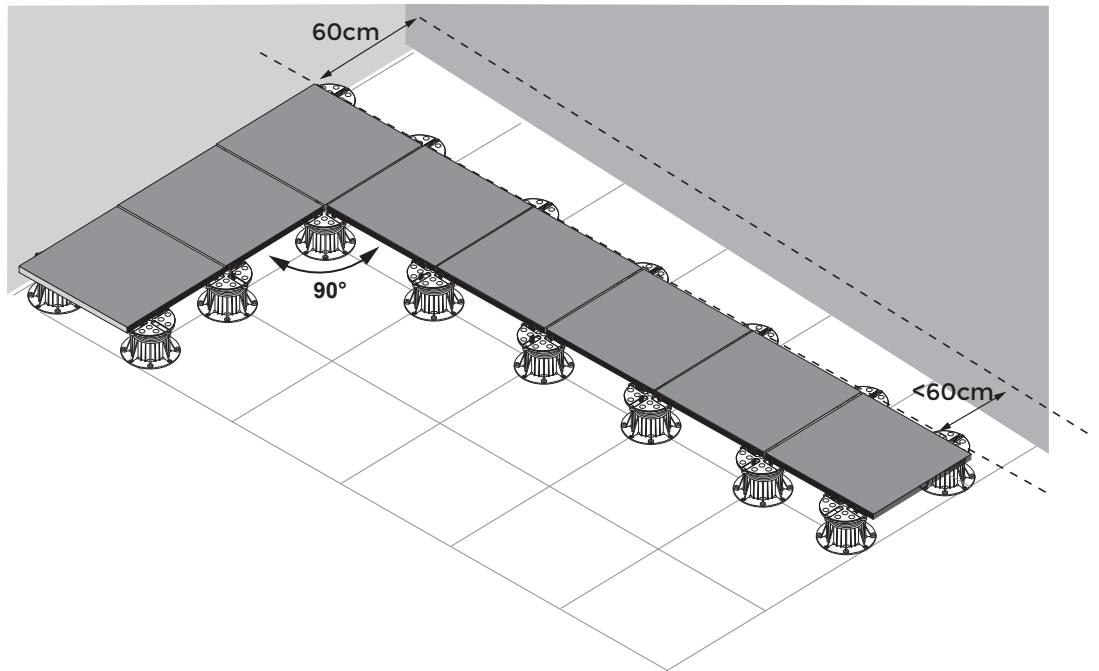
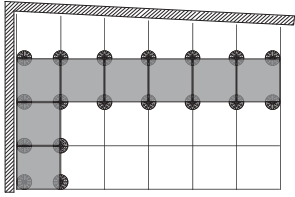
1 **C** <math>< 90^\circ</math>



2



3



4

