



Technical Data Sheet

U-TABS-3MM H17 Spacer Tab for U-EDGE & U-TOP-FLEX

COMPONENTS

The U-TABS 3MM H17 is composed of:
1 x Piece

CHARACTERISTICS

Weight: 0.001kg
Height: 17mm

MATERIAL

Copolymer polypropylene (CPP)
Composition: +/- 80% first grade pre-selected recycled CPP, and
+/-20% Talc + Masterbatch black
Designed and manufactured in Europe
Use of recycled materials exclusively of EU origin
Resistant to weathering, sea salts, algae and a wide range
of chemicals
Temperature range: -30C° to +80C°

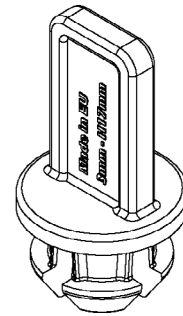
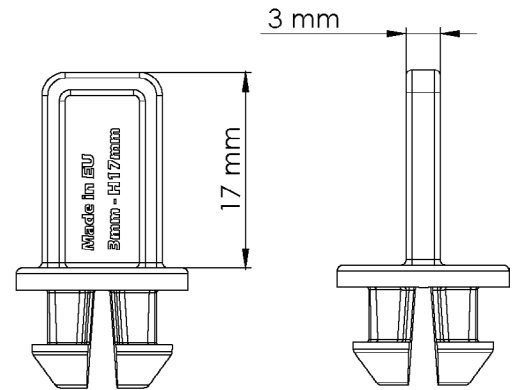
CAD files are available for download from our [Resource Centre](#)

APPLICATIONS

The spacer tabs U-TABS-3MM H17 can be used with both the U-EDGE and the U-TOP-FLEX products. They are fixed in place by pressing them in to the slots in the desired location and will create an even gap between tile pieces.

PACKAGING

Packaging	U-TABS-3MM H17	Unit
Pieces per carton	1,200	pcs
Carton weight	1.57	kg
Carton dimension	410 x 320 x 95	mm
Cartons per pallet	180	pcs
Pieces per pallet	216,000	pcs
Pallet dimensions	100 x 120 x 220	cm



SAFETY INSTRUCTIONS

Buzon pedestals and accessories are designed to support external raised floors for pedestrian traffic only and are not designed to support or be subjected to moving and/or vibrating machinery & equipment, including maintenance, cleaning vehicles, automobiles and other similar equipment.

Contact us if you require further technical support or advice

buzonuk.com - info@buzonuk.com - +44 (0)20 8614 0874



Buzon has a policy of continuous improvement and reserves the right to modify, revise or change the above specifications without notice. This brochure is for descriptive purpose only and is based on the product as on the date of publication of this information.