



Technical Data Sheet

U-EXTENDER-30 30mm Pedestal Extender

COMPONENTS

U-EXTENDER-30 composed of:
1 x Complete unit

CHARACTERISTICS

Weight: 0.150kg
Height: 30mm
Diameter: \varnothing 199mm

MATERIAL

Copolymer polypropylene (CPP)
Composition: +/- 80% first grade pre-selected recycled CPP, and +/- 20% Talc + Masterbatch black
Designed and manufactured in Europe.
Use of recycled materials exclusively of EU origin.
Resistant to weathering, sea salts, algae and a wide range of chemicals.
Temperature range: -30C° to +80C°

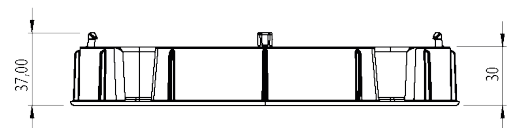
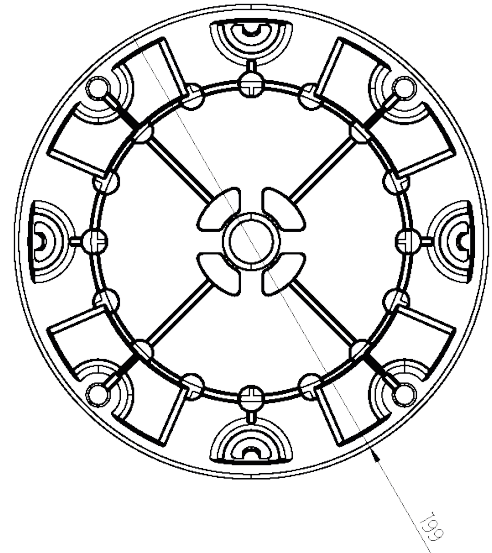
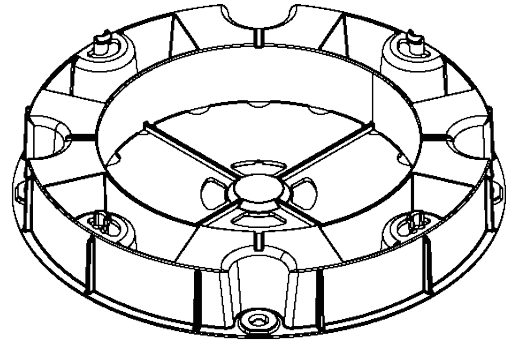
APPLICATIONS

The U-EXTENDER-30 is a 30mm extension that is clipped to the base of pedestals in order to increase the height.
They can be stacked up to a maximum of 4, reaching a maximum additional height of 120mm.

Compatible with all pedestals in the PB, DPH and BC ranges with the exception of the fixed height models, it can also be used in conjunction with the U-PH5 base slope corrector.

No additional fixings are required.

CAD files are available for download from our [Resource Centre](#)



PACKAGING

Packaging	U-BRS-END-BRACKET-24	Unit
Pieces per box	48	pcs
Box weight	8.60	kg
Pieces per pallet	1,920	pcs
Pallet Dimension	100x120x220	cm

SAFETY INSTRUCTIONS

Buzon pedestals are designed to support external raised floors for pedestrian traffic only and are not designed to support or be subjected to moving and/or vibrating machinery & equipment, including maintenance, cleaning vehicles, automobiles and other similar equipment.

Contact us if you require further technical support or advice

buzonuk.com - info@buzonuk.com - +44 (0)20 8614 0874



Buzon has a policy of continuous improvement and reserves the right to modify, revise or change the above specifications without notice. This brochure is for descriptive purpose only and is based on the product as on the date of publication of this information.