



Technical Data Sheet

A-PED-SHIM-2MM-FR 2mm Fire-rated Shim

COMPONENTS

The A-PED-SHIM-2MM-FR is composed of:
1 x Piece

CHARACTERISTICS

Weight: 0.018kg
Thickness: 2mm
Diameter: 95mm
Fire-Rating: Class A1 according to BS EN 13501-1
Other Standards: Approved to Rail Industry EN 45545-2+A1:2015
HL3 for R22, R23, R24, R25, R26 requirements. Quality No. H 45 - 1000
Complies with Ministry of Defence Standard 07-247 Iss 3.

MATERIAL

Designed and manufactured in UK
Low Smoke Low Toxic EPDM
Resistant to weathering, sea salts and a wide range of chemicals

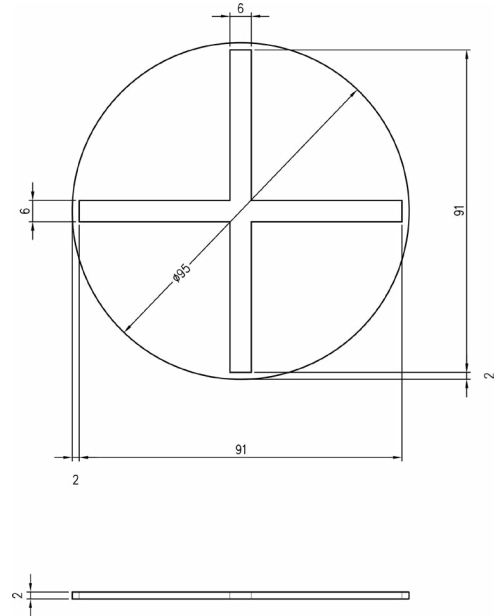
CAD files are available for download from our [Resource Centre](#)

APPLICATIONS

A 2mm Class B fire-rated shim for the head of the A-PED Pedestal. Designed to be completely obscured by pavers, the 'maltese cross' is wide enough for use with the 3mm and 5mm spacer tabs.

PACKAGING

Packaging	A-PED-TABS-RING-3MM	Unit
Product per Box	500	items
Unit Weight	0.018	kg
Box Dimension	43x28x18	mm
Boxes per Pallet	TBC	qty
Product per Pallet	TBC	items
Pallet Dimension	TBC	cm



SAFETY INSTRUCTIONS

Buzon pedestals and accessories are designed to support external raised floors for pedestrian traffic only and are not designed to support or be subjected to moving and/or vibrating machinery & equipment, including maintenance, cleaning vehicles, automobiles and other similar equipment.

Contact us if you require further technical support or advice
buzonuk.com - info@buzonuk.com - +44 (0)20 8614 0874

Buzon has a policy of continuous improvement and reserves the right to modify, revise or change the above specifications without notice. This brochure is for descriptive purpose only and is based on the product as on the date of publication of this information.