



U-BRS
The BUZON
rail system





THE DEFINITIVE SOLUTION FOR OUTDOOR FLOORING

The U-BRS installation system for outdoor raised floors allows for a simple and cost effective solution for all external terrace applications.

The system can be used for various substrates, 20mm porcelain, concrete and natural stone pavers.

Practical and functional, the U-BRS system can be used where the void is limited. The system, including the Buzon Pedestal range starts at 29mm.



U-BRS why choose it?

Practical and functional, the U-BRS system offers a complete structure for the raised installation of your outdoor space.

The system includes adjustable height supports in polypropylene, reinforced aluminium profiles and 3mm spacer tabs which allow for free drainage to the podium or WPM.

Additionally, 2 rubber strips either side of the spacer tabs assist with potential foot traffic noise.

Locking end-stops prevent potential lateral movement.

U-BRS Advantages



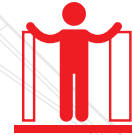
Speed of installation



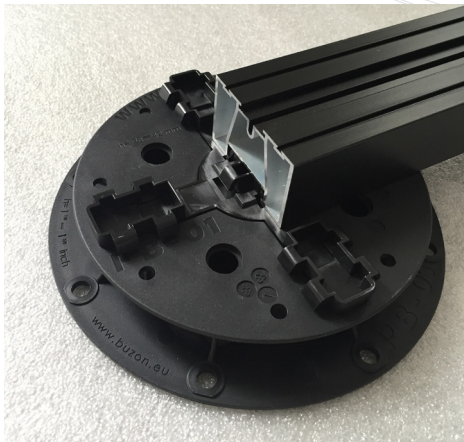
Economic advantages



High load capability



Allows for random and staggered paver dimensions





A NEW WAY
OF LIVING
OUTDOORS

U-BRS Product Configuration



SUPPORTS

Models supplied screwed



PB-00

PB - 00
15mm



PB-01

PB - 01
28 - 42mm



PB-1

PB - 1
42 - 60mm



PB-2

PB - 2
60 - 90mm



PB-3

PB - 3
90 - 145mm



PB-4

PB - 4
145 - 245mm

Models supplied unscrewed



PB-5

PB - 5
230 - 315mm



PB-6

PB - 6
285 - 367mm



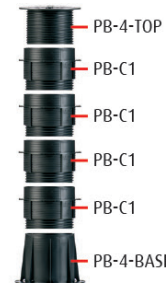
PB-7

PB - 7
365 - 485mm



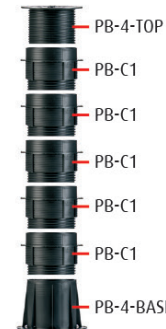
PB-8

PB - 8
452 - 605mm



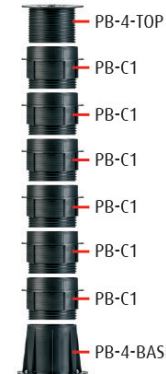
PB-9

PB - 9
537 - 725mm



PB-10

PB - 10
620 - 845mm

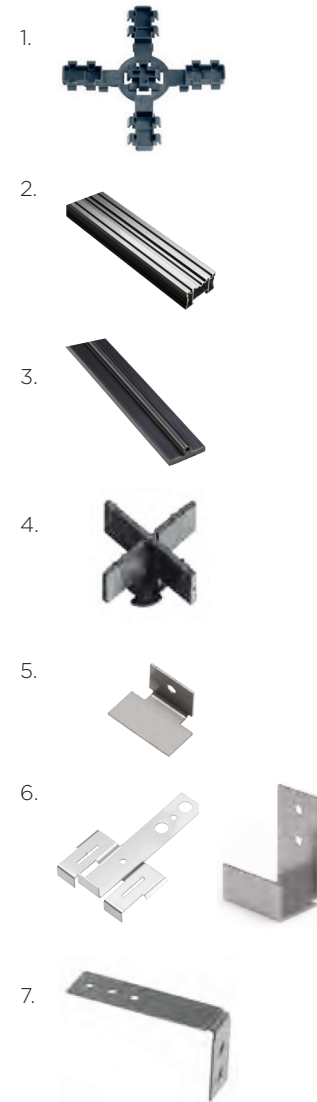


PB-11

PB - 11
705 - 965mm

COMPONENTS

1. CLIP FOR RAIL FIXING ON TOP OF THE PEDESTAL	
<i>PB-KIT-2</i>	Clip for fixing with a tubular joint
2. ALUMINIUM RAIL 2400X65mm	
<i>U-BRS - 18mm</i>	Model with height 18mm
<i>U-BRS - 38mm</i>	Model with height 38mm
3. EPDM RUBBER STRIP	
<i>U-BRS-EPDM-2MM</i>	Rubber Strip 2400x20mmx2mm (2 per rail)
4. SPACER TABS FOR TILES	
<i>U-BRS-TABS-3MM-H17</i>	Fixes into the rail
5. STILL PLATE	
<i>U-BRS-STOP</i>	Clip for the perimeter paving
6. STAINLESS STEEL ACCESSORIES FOR VERTICLE PAVING (TO BE USED WITH L PIECE)	
<i>U-BRS-END-T</i>	Upper element (Top)
<i>U-BRS-END-B</i>	Lower element (Base)
7. CONNECTOR FIXING FOR BETWEEN RAILS	
<i>U-CONNECTOR</i>	For rail or stepped rail mounting



ACCESSORIES

8. SLOPE CORRECTOR

BC-PH5

Slope corrector up to 5%

9. SHIM

PB-SHIMS-4MM

Polypropylene 4mm shim stackable up to 3 high - placed underneath the pedestal for additional height if required

10. BUZON BUBBLE LEVEL

U-KIT-SL-80

Determines the % and direction of the slope

11. ADJUSTMENT KEY

U-KEY

Support height adjustment key

8.



9.



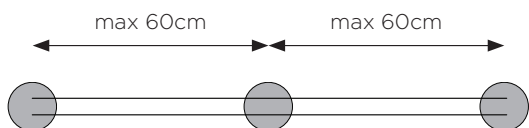
10.



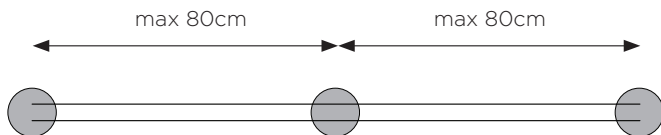
11.



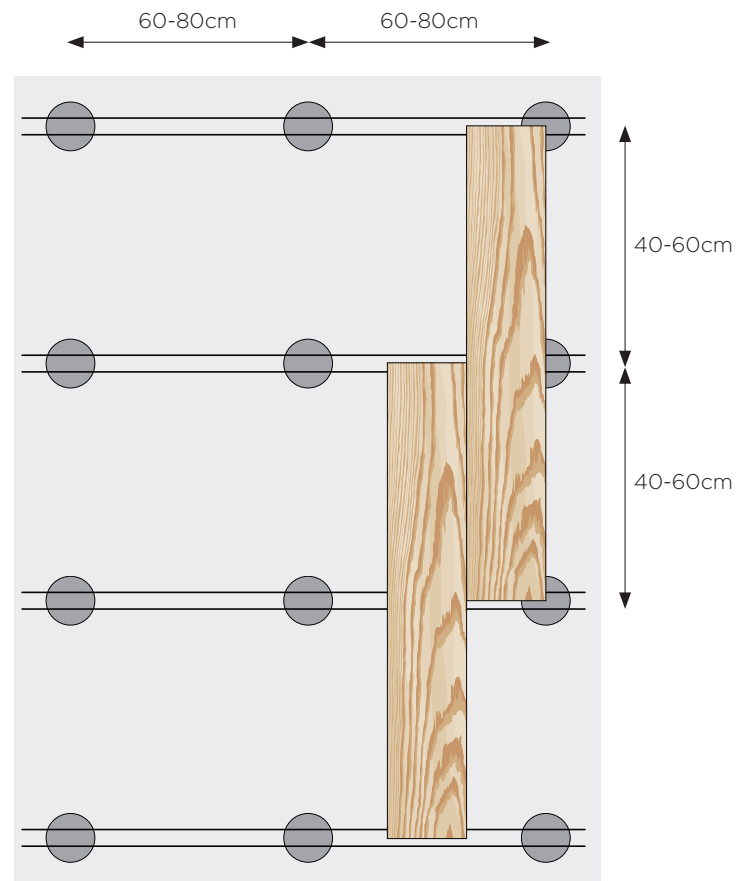
SYSTEM U-BRS 18



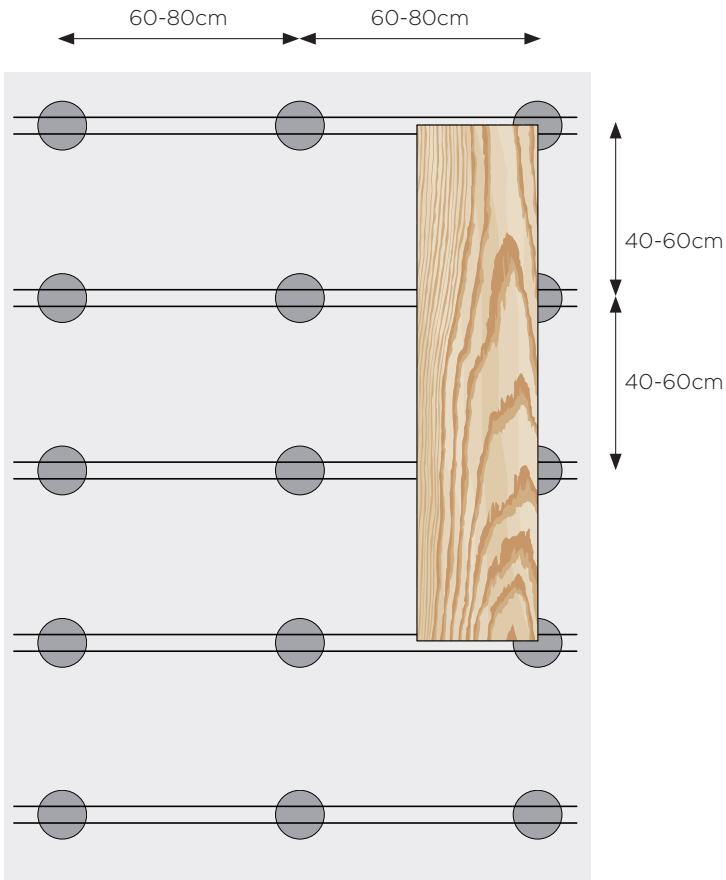
SYSTEM U-BRS 38



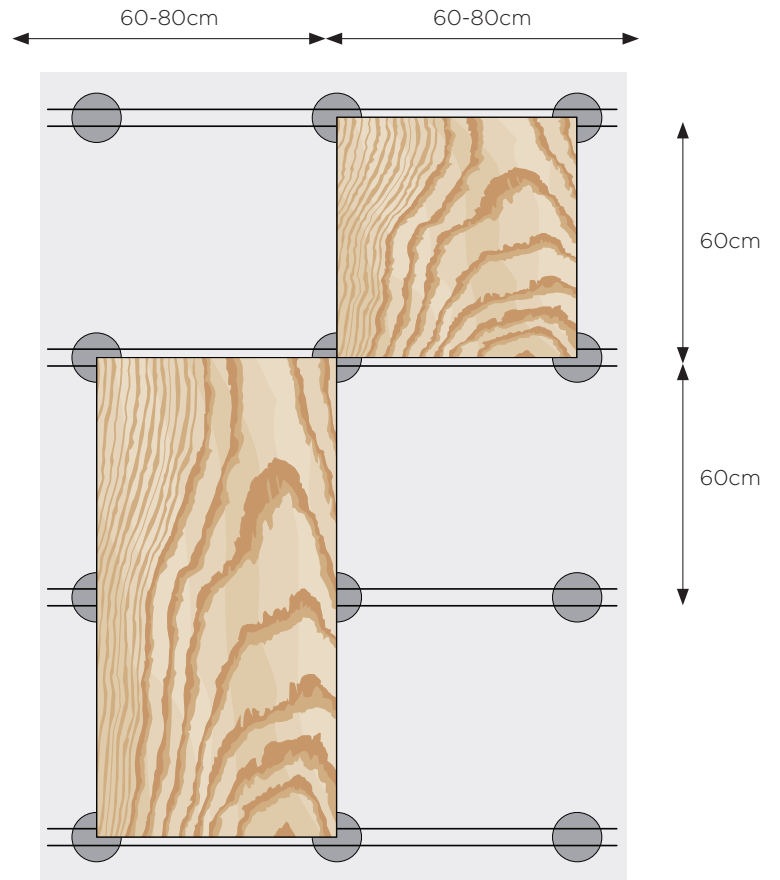
WITH TILES 20x120cm



WITH TILES
30x120cm and 40x120cm



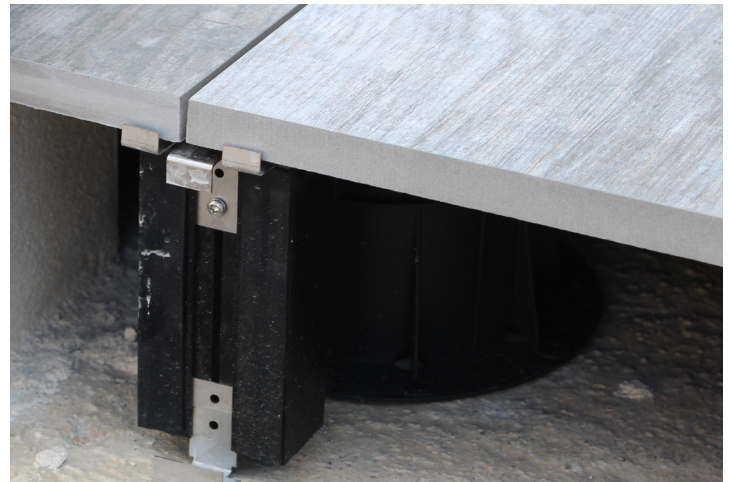
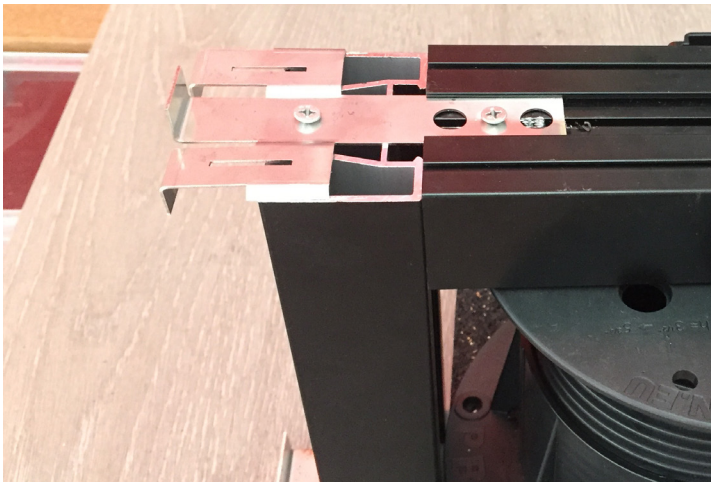
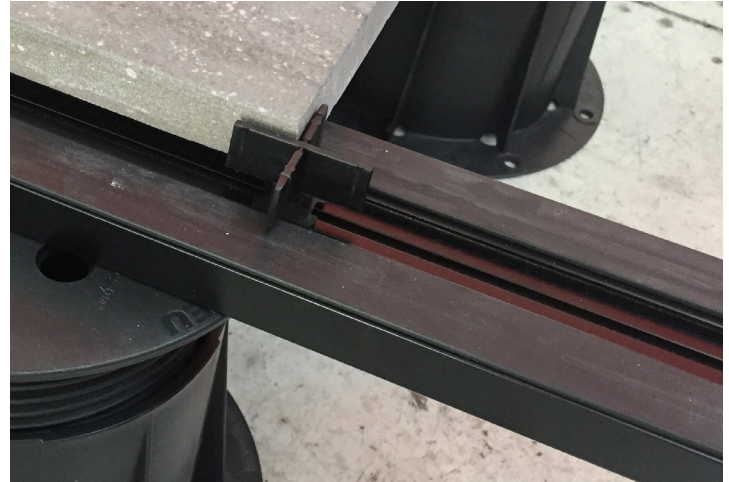
WITH TILES
60x60cm and 60x120cm



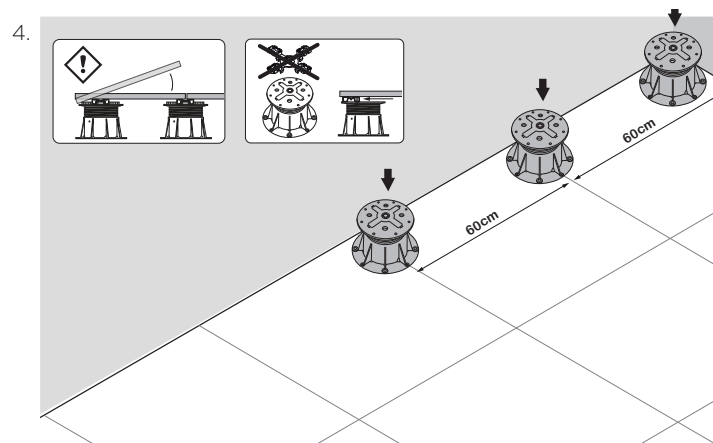
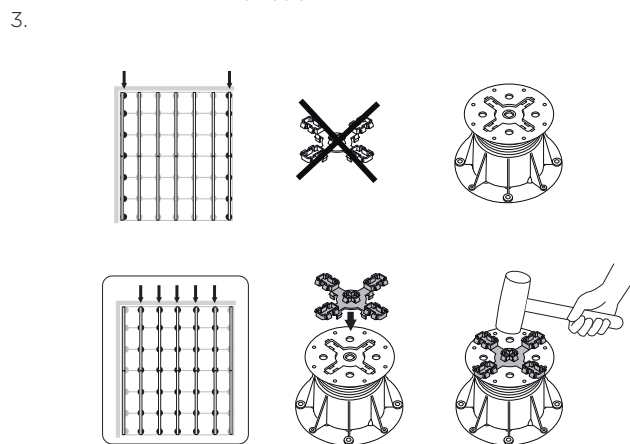
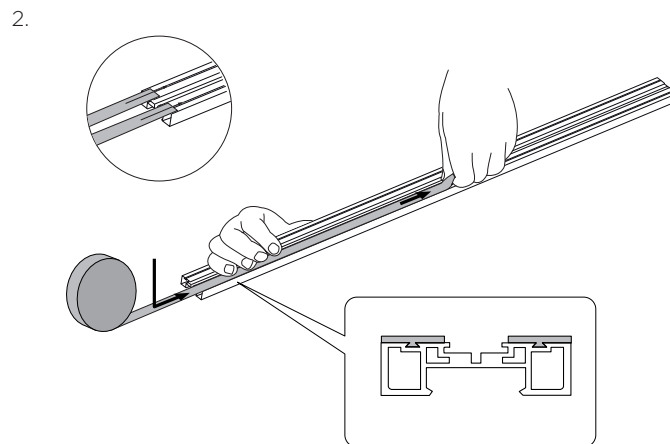
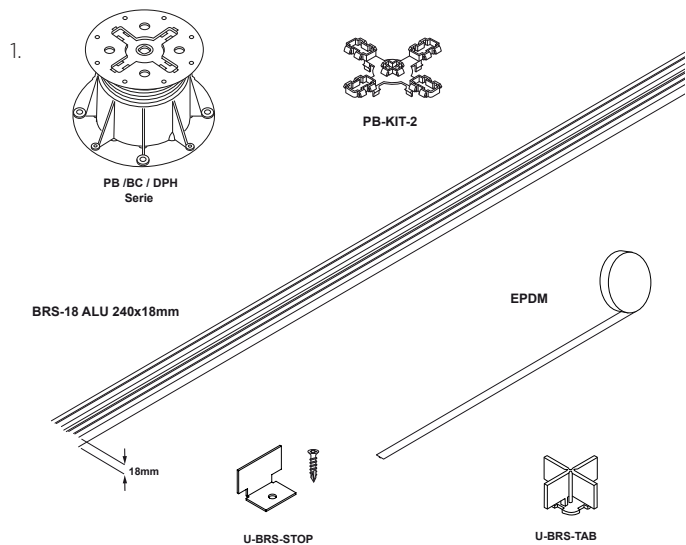


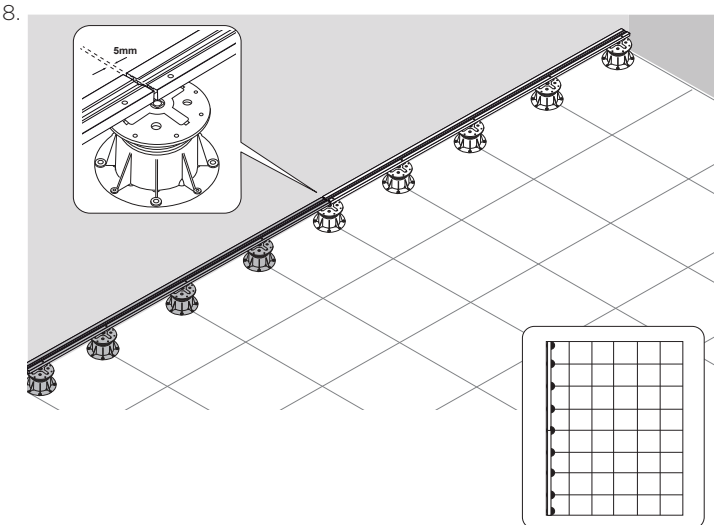
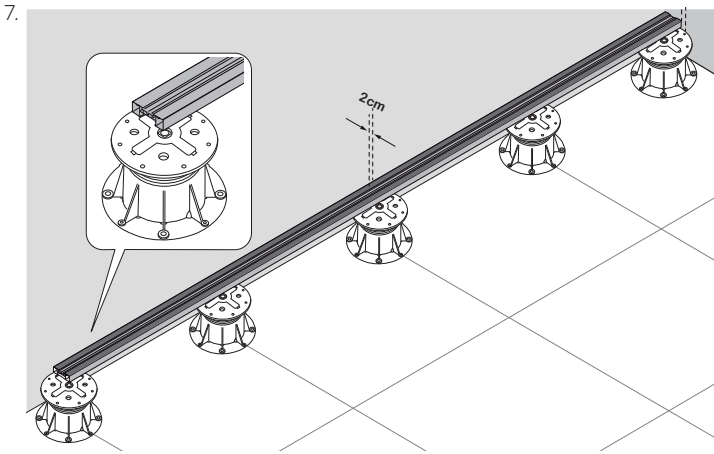
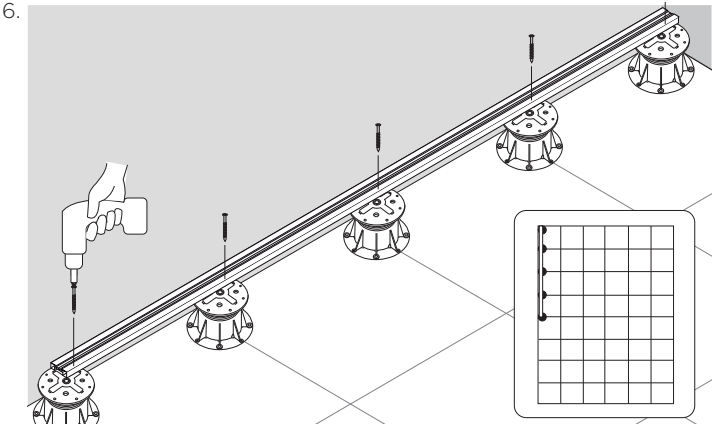
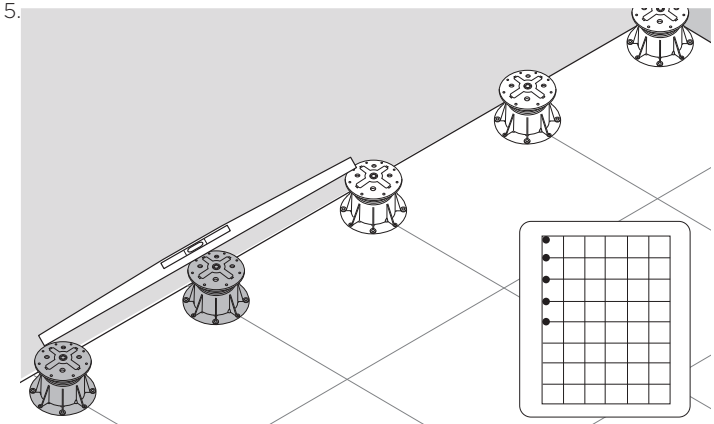
LESS
TIME
PERFECT
RESULTS

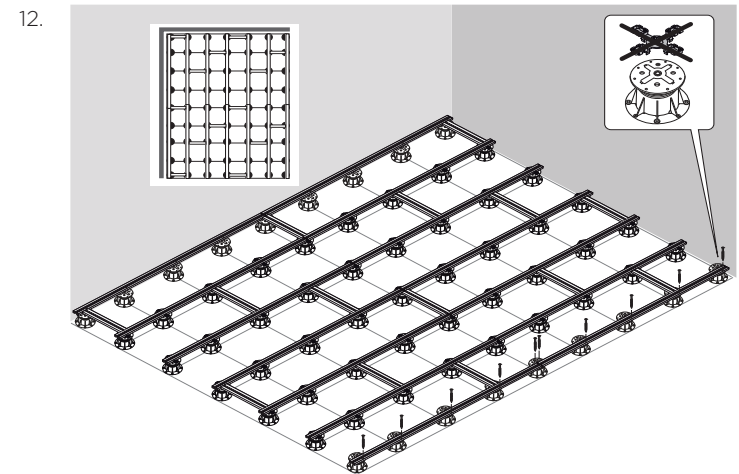
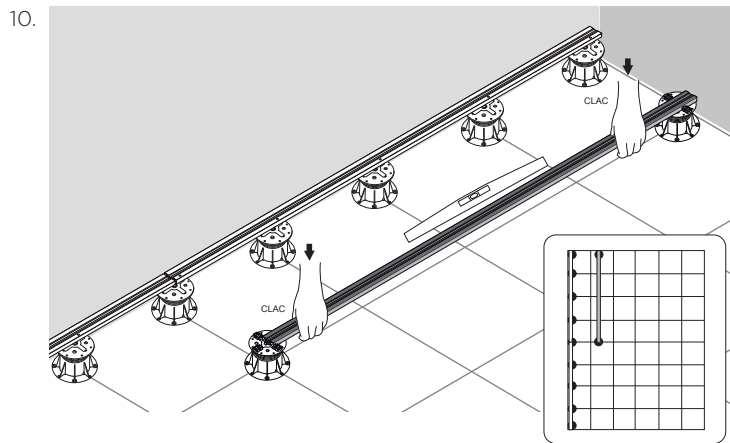
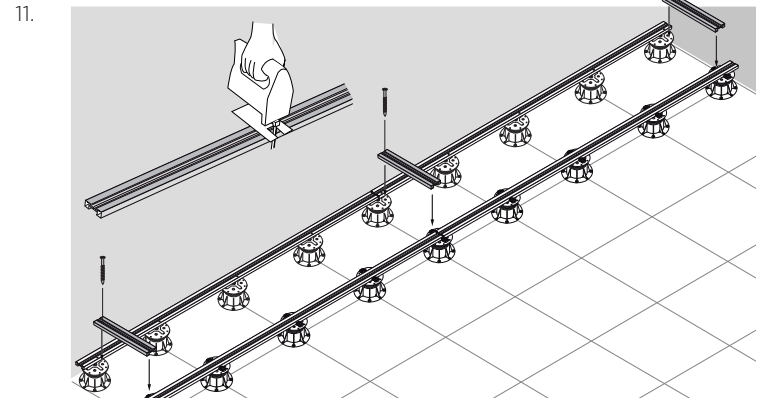
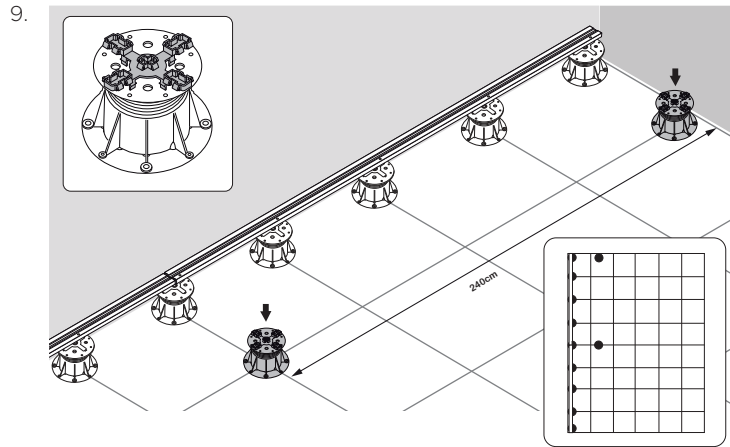


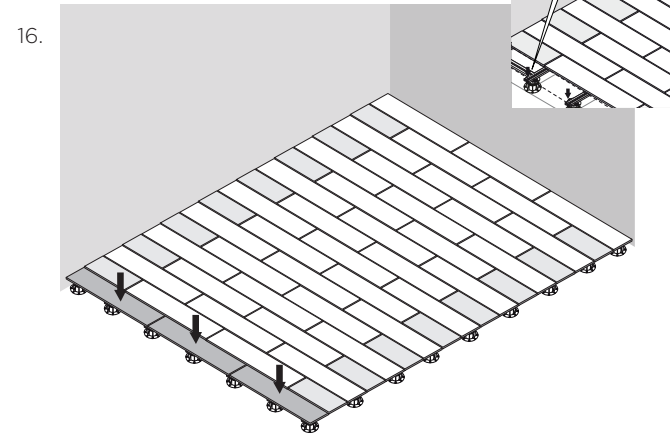
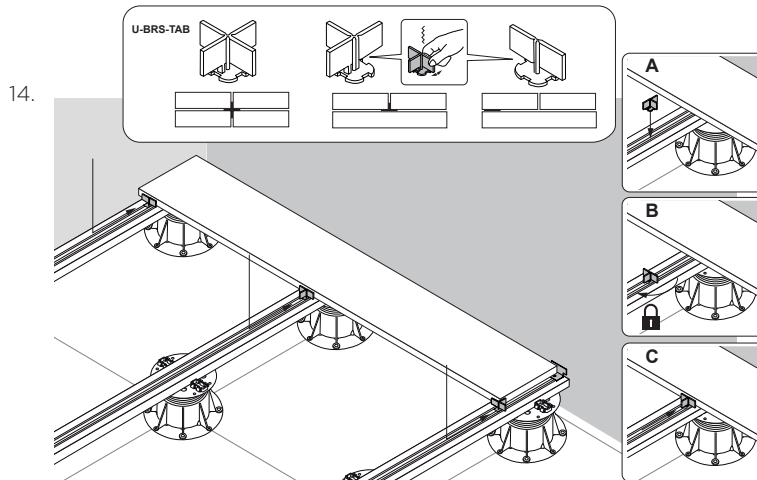
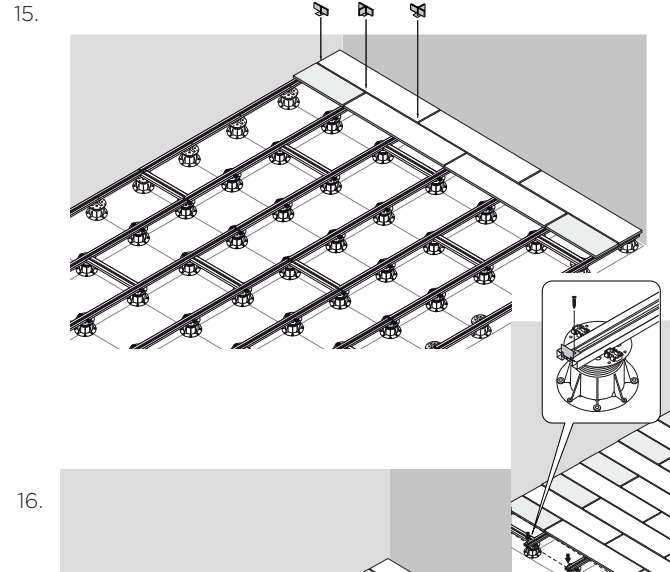
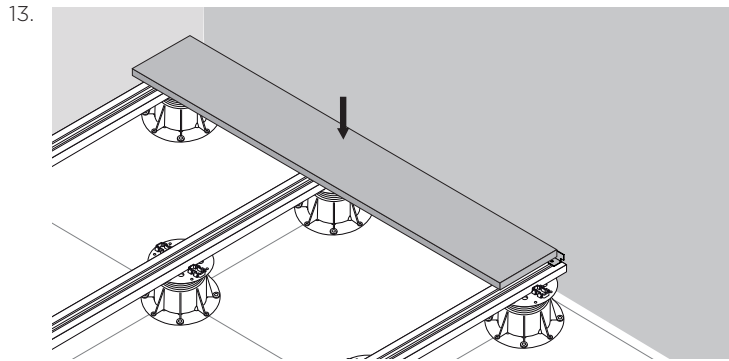


INSTRUCTIONS AND INSTALLATION TIPS















BUZON UK LTD

Unit 6, Teddington Business Park
Station Road, Teddington TW11 9BQ

Tel: 020 8614 0874

sales@buzonuk.com www.buzonuk.com