



Technical Data Sheet

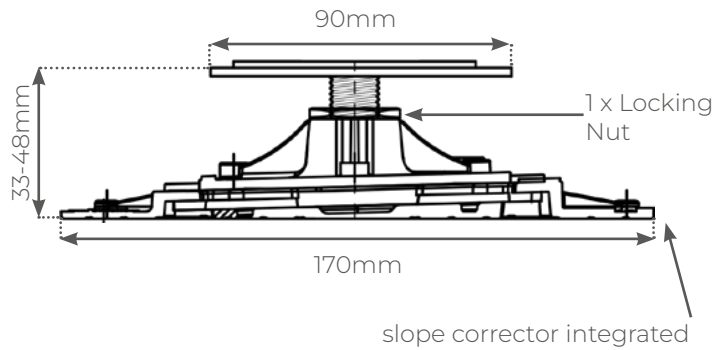
A-PED-33-48

Adjustable from 33 to 48mm

COMPONENTS

A-PED-33-48 is composed of:

- 1 x A-PED Base
- 1 x TH25 Head
- 1 x TP-1 Turning Plate
- 1 x Locking Nut



CHARACTERISTICS

Head: \varnothing 90mm

Base: \varnothing 170mm

Weight: 0.428Kg

Height adjustable from 33-48mm

Slope Corrector: Is integrated in base of the pedestal, providing slope correction from 0-5%

Fire-Rating: **Class A1** according to BS EN 13501-1

MATERIAL

Designed and Manufactured in Europe

A-PED-BASE, TP1: Aluminium

TH25: ZAMAK (Zinc Alloy)

Locking Nut: Steel with exterior coating

Resistant to weathering, sea salts and a wide range of chemicals.

COMPRESSION TEST

Load testing has been performed on the range of A-PED pedestals to 6 tons and we will certify to + 3 tons per pedestal.

For more information, please contact info@buzonuk.com

APPLICATION

Non-combustible adjustable pedestal, ideal for any hard landscaping or external flooring project including high-rise balconies requiring a Class A fire-rating.

Suitable for sites where the void is minimal, the pedestal can be used in conjunction with the 170mm Spreader Plate accessory in situations where a wider base is required.

The A-PED range has a suite of Class A fire-rated accessories:

- Spacer Tabs
- Edging
- Joists
- Shims (Class B-rated)
- Membrane Protection (Class A & B-rated versions)

Spacer Tabs



A-PED-TABS-RING-3MM
Thickness: 3mm
Height: 11mm

Locking Key



A-PED-Key



A-PED-TABS-5MM
Thickness: 5mm
Height: 13mm

Edging



A-PED-WALL
Edge Restraint

Joists



A-PED-JOIST-20
Height: 20mm

PACKAGING

Packaging	TH25	TP1	Base	Nut x 1	Unit
Product per Box	60	120	60		items
Unit Weight	0.165	0.082	0.178	0.003	kg
Box Weight	9.90	9.84	10.68		kg
Box Dimension	290x205x220	395x290x200	395x290x200		mm
Boxes per Pallet	65	48	48		qty
Product per Pallet	3,900	5,760	2,880		items
Pallet Dimension	80x120	80x120	80x120		cm

SAFETY INSTRUCTIONS

Buzon pedestals are designed to support external raised floors for pedestrian traffic only and are not designed to support or be subjected to moving and/or vibrating machinery & equipment, including maintenance, cleaning vehicles, automobiles and other similar equipment.

Contact us if you require further technical support or advice

buzonuk.com - info@buzonuk.com - +44 (0)20 8614 0874



Buzon has a policy of continuous improvement and reserves the right to modify, revise or change the above specifications without notice. This brochure is for descriptive purpose only and is based on the product as on the date of publication of this information.